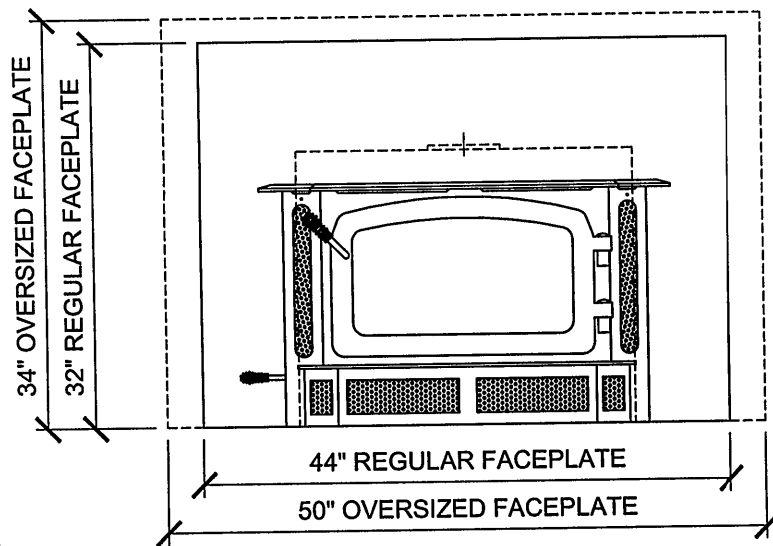
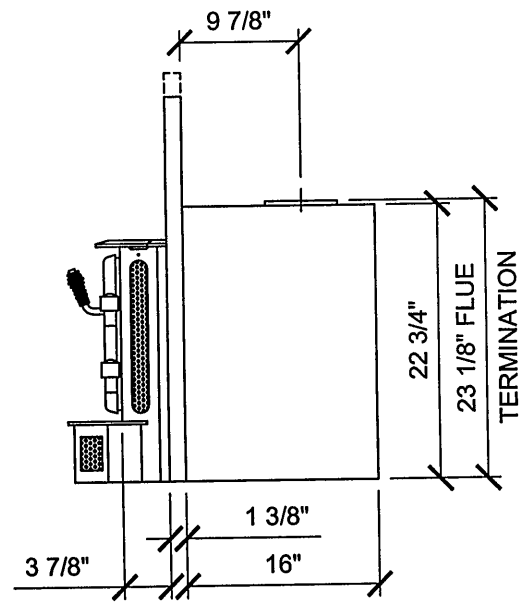


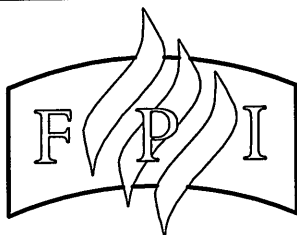
TOP VIEW



FRONT VIEW



SIDE VIEW



PROJECT TITLE:
**FPI FIREPLACE PRODUCTS
 INTERNATIONAL LTD.**

SHEET TITLE:
REGENCY WOOD STOVE INSERT -I3100

| | |
|-----------|-------------|
| DATE: | FEB. 2005 |
| DRAWN: | U.D.S. Ltd. |
| DESIGNED: | U.D.S. Ltd. |
| APPROVED: | |

| | |
|--------------|--------|
| DRAWING No.: | 1 of 1 |
| I3100 | |
| REV.: | 0 |