



Are you dreading  
**FLUE** season?

Regency has the  
**CURE!**

Look inside and discover the most **profitable**  
insert on the market – with **installer friendly**,  
patent pending, easy flue connection!

# Regency I1200 Wood Insert

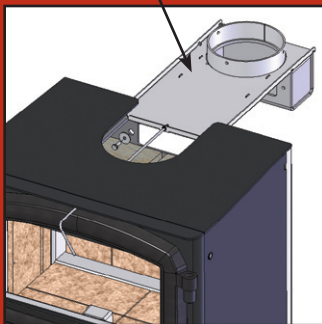
The Most  
**PROFITABLE**  
Insert On The  
Market



*“Previously, we couldn’t do a job because we couldn’t remove the lintel. The I1200 makes life easy because the flue adaptor lets us adjust the flue to meet the liner, it’s great.”*

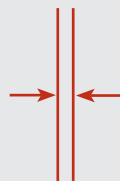
– Jason, 4 Season’s Heating & Cooling

Independent  
flue adaptor



Fits **99%** of all fireplaces.  
Installation time is **cut in half.**

## *Sleek, Low-Profile Appearance*



Regency has the solution to upgrade the style and efficiency of any masonry or prefab fireplace. The easy to install I1200 Wood Insert is designed to fit flush to the surround with a sleek, low-profile appearance.



# Why does the I1200 fit into 99% of fireplaces?

## Reduced Height

While maintaining the same internal firebox and standard features of the I1100, the minimum opening height of the I1200 has been reduced to 19".

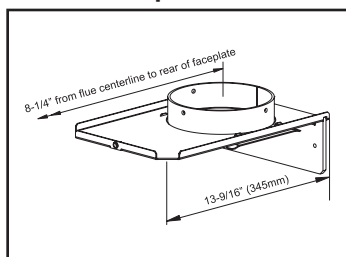
## Flexible Faceplates

Both the standard and oversize faceplates are 2" wider to cover all fireplace openings and the bottom 1 piece faceplate and fan support are designed to cover raised fireplaces.

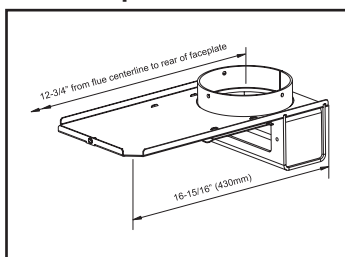
## Adaptability of Flue Center Line

Fit any lentil depth with the Standard Adaptor (8 1/4" to flue center line) or Offset Adaptor (12 3/4" to flue center line). You need to see this to believe it...get both adaptors FREE on your first I1200 order and get connected!

Standard Adaptor



Offset Adaptor



*“Now we can go back to customers who couldn’t fit the I1100 and get the I1200 installed.”*

*– Jason, 4 Season’s Heating & Cooling*

# How does the I1200 cut installation time in half?

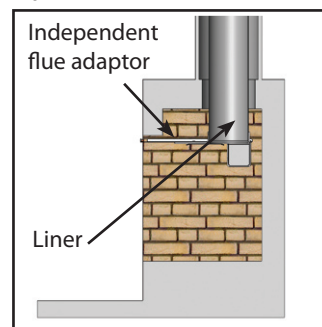
Cut your installation time in half without sacrificing quality. Installing the I1200 is quick, tidy and eliminates damage to the liner.

## Two Step Connect

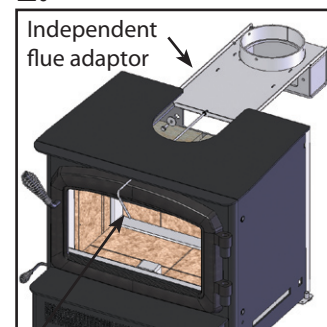
**Step 1:** Connect flue adaptor to liner.

**Step 2:** Connect flue adaptor to unit with easy thread rod.

1.



2.



Easy thread rod

The offset adaptor allows you to get into lower openings – slide it off, connect flue to adaptor, re-connect to unit, and slide it in. By properly lining up the flue and ensuring a sound flue connection and draft, you will maximize burn performance resulting in a better flame and efficient heat output.

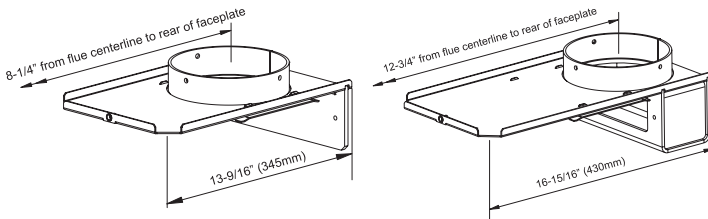
*“The adjustable flue collar makes this insert a lot easier to install. Just connect the flue to the adaptor first, then connect it to the unit and slide it in.”*

*– Mike, Joe’s Fireplace*

# Get Connected

Order your I1200 today and get 2 FREE flue adaptors.

## Two FREE Flue Adaptors



Order an I1200 for your showroom by August 20<sup>th</sup>, 2007 and receive two FREE flue adaptors. Offer only applicable on first order.

**YES!**

**Send me an I1200 for my showroom.**

Please fax this back with your completed order form.

Store Name: \_\_\_\_\_

City: \_\_\_\_\_ State/Prov: \_\_\_\_\_

Ordered By: \_\_\_\_\_

Please fax to your local FPI Branch

**FIREPLACE**  
*Design*  
**CENTER 5.3**

Update your FDC at: [www.regency-fire.com/ignite](http://www.regency-fire.com/ignite)

## Regency I1200 Wood Insert

Minimum Fireplace Opening	
Width	23"
Depth	13-3/4"
Height	19"
Faceplate Dimensions	
Regular 3 Sided	38"W x 26-1/8"H
Oversize 3 Sided	44"W x 30-1/8"H
Maximum BTU	55,000
Optimum Efficiency	73.80%
Maximum Log Size	18"
Firebox Size	1.4 cu. Ft.
Flue Size	6"

### Standard Features

- EPA Certified
- Single Rod Draft Control
- Airwash System
- Brick-lined Firebox

### Optional Features

- Standard or 4-1/2" Offset Flue Adaptor
- Cast Iron Door in Gold, Black, Gold Accent or Nickel Accent
- Regular or Oversize Faceplate
- 2-Speed Blower
- Bottom 1 piece Faceplate & Fan Support