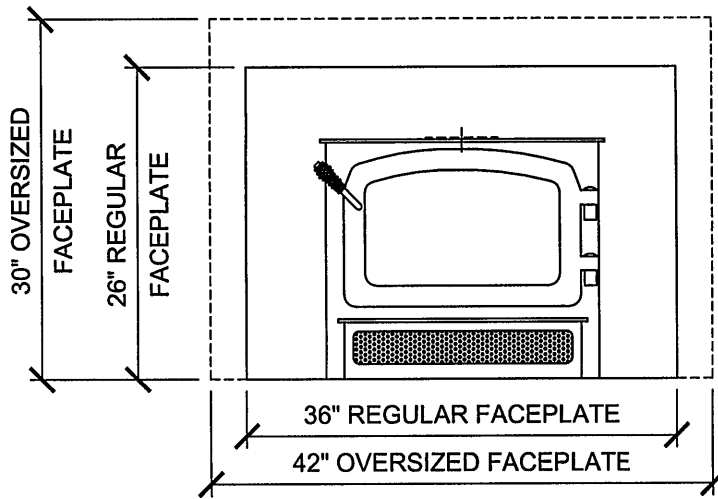
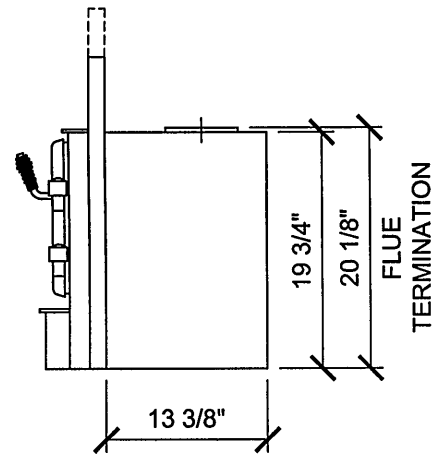


TOP VIEW



FRONT VIEW



SIDE VIEW



PROJECT TITLE:

FPI FIREPLACE PRODUCTS  
INTERNATIONAL LTD.

SHEET TITLE:

REGENCY WOOD STOVE INSERT -11100

DATE: FEB. 2005

DRAWN: U.D.S. Ltd.

DESIGNED: U.D.S. Ltd.

APPROVED:

DRAWING No.: 1 of 1

**I1100**

REV.: 0