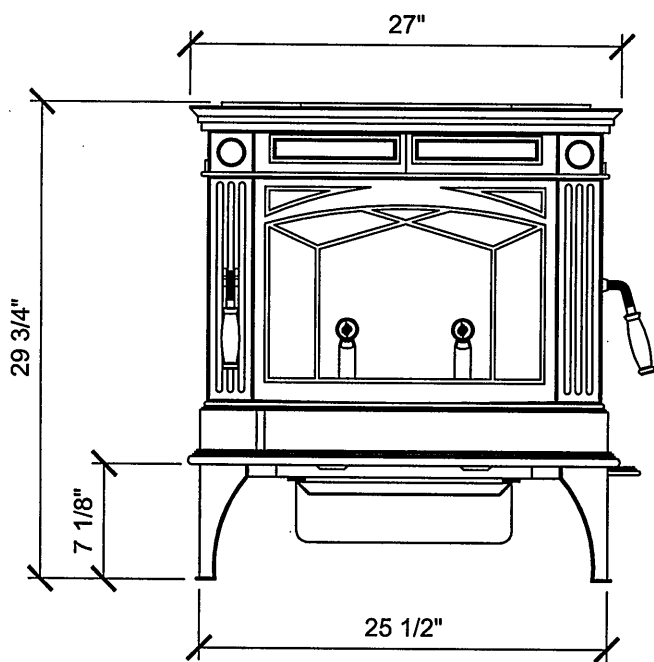
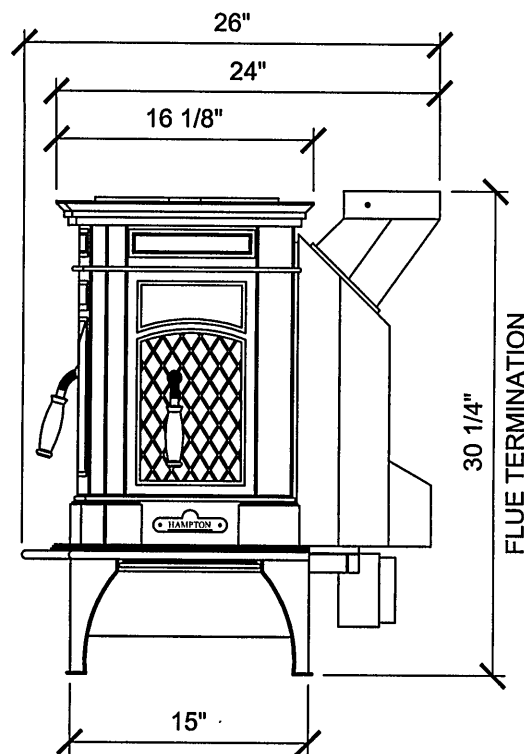


**TOP VIEW**



**FRONT VIEW**



**SIDE VIEW**



PROJECT TITLE:

FPI FIREPLACE PRODUCTS  
INTERNATIONAL LTD.

SHEET TITLE:

HAMPTON WOOD STOVE - H300

DATE:

FEB. 2005

DRAWN:

U.D.S. Ltd.

DESIGNED:

U.D.S. Ltd.

APPROVED:

DRAWING No.:

1 of 1

**H300**

REV.: 0