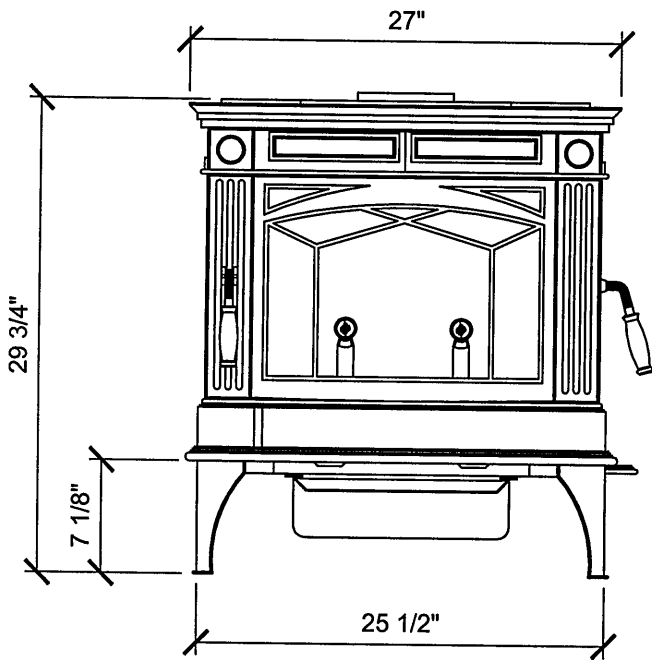
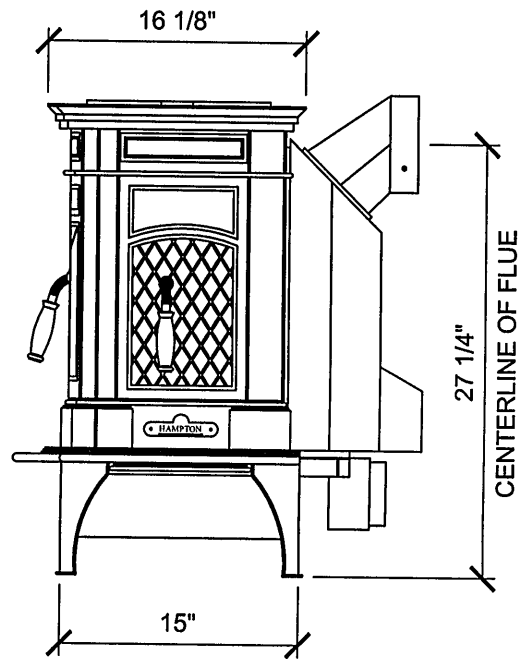


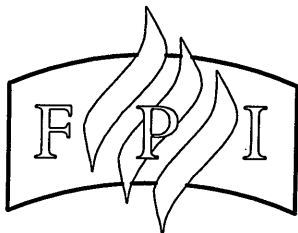
TOP VIEW



FRONT VIEW



SIDE VIEW



PROJECT TITLE:
**FPI FIREPLACE PRODUCTS
 INTERNATIONAL LTD.**

SHEET TITLE:
**HAMPTON WOOD STOVE - H300
 w/ REAR EXITING FLUE**

DATE:	FEB. 2005
DRAWN:	U.D.S. Ltd.
DESIGNED:	U.D.S. Ltd.
APPROVED:	

DRAWING No.: 1 of 1
H300
 REV.: 0