

wood
stoves, fireplaces & inserts

why choose Regency?

Clean Burning Heating Solutions

In 1979, I founded Regency Fireplace Products with a mission to produce the finest fireplace products available anywhere. As a result, Regency has been honored with awards for exceptional aesthetics and performance. It is known as the premium brand in the industry.

There are so many reasons to choose a Regency, I would like to share a few with you.

Save money... Zone heat

Never before have home heating costs been higher. Turn your furnace way down and zone heat with beautiful, renewable wood in the rooms you spend time in. Not only can you cut your fuel bills in half but you will be able to enjoy the timeless joy of a wood fire. The glowing embers, the snap of wood as it catches fire, the casual curl of yellow flames, there is nothing like a wood fire.

Environmentally Friendly

All Regency Wood Stoves, Fireplaces and Inserts have been certified by the Environmental Protection Agency (EPA). Regency engineers have carefully designed the firebox to create airflow around

the wood so that it burns completely, resulting in very little ash and almost no polluting smoke into our environment. Burning wood is also carbon neutral.

Regency Quality

The Regency name means quality in every way. I am supported by an exceptional team, state of the art research and a world class manufacturing facility. We have carefully selected a dealer network that is committed to your satisfaction.

Lifetime Warranty

I am so confident in the quality workmanship, the finest materials, and durable heavy-duty construction invested in each and every product, that I offer a Limited Lifetime Warranty. We know that you will be as proud of your Regency Wood Stove, Fireplace or Insert as we are – I guarantee it.



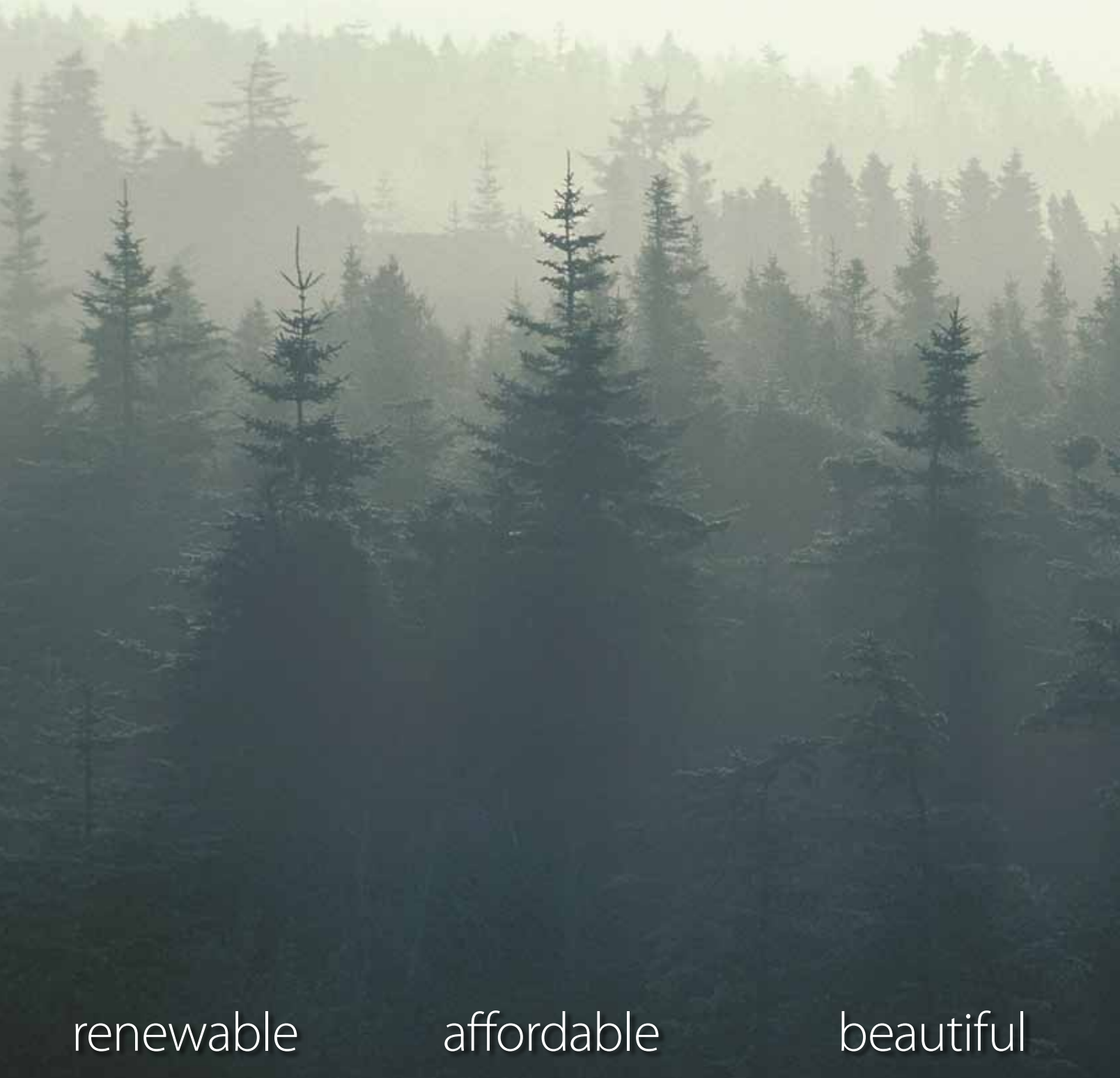
Robert Little
Founder & CEO



index

Regency Alterra Wood Stove CS1200	6
Regency Classic Wood Stoves F1100, F2400, F3100, S2400	8
Regency Alterra Wood Inserts CI1200, CI1250	10
Regency Classic Wood Inserts I1200, Hearth Heater I2400 & I3100	12 14
Regency Wood Fireplaces R90 & EX90	16
Design Choices	18
Technical specs	20





renewable

affordable

beautiful



burning wood - a green choice

Wood is affordable

Reduce your dependence on high priced, non-renewable home heating fuels by burning wood. Turn your furnace down and enjoy comforting warmth in your main living area with a Regency wood product. Whether you buy your wood or collect it yourself, you will notice the savings within its first year.

Renewable Resource

Wood is a renewable natural resource - well-managed forests are a renewable, sustainable source of energy that helps us reduce greenhouse gas emissions and be less dependent on oil & gas.

Wood is Carbon Neutral

As trees grow they absorb carbon dioxide from the atmosphere. When trees die and are left to decompose in the forest or burn in forest fires the carbon stored in the trees is released in the atmosphere as carbon dioxide.

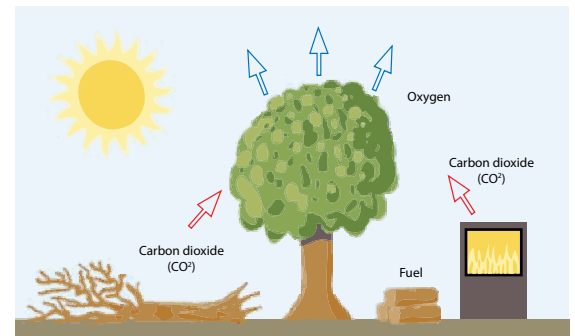
Burning firewood produces the same amount of carbon dioxide as it has absorbed during its life cycle - making wood burning carbon neutral.

EPA certified

All Regency Wood Stoves, Fireplaces and Inserts have been tested and certified to the strictest clean air standards as set by the Environmental Protection Agency. In addition, all Regency wood products exceed efficiency standards confirming their approval for the US biomass tax credit for up to \$1500.

One Regency = One Tree

At Regency, we are committed to protecting our environment. For every Regency sold, we will plant a tree. Working with American Forests, the trees planted across North America will offset carbon emissions and take one more step to restore nature's balance.





CS1200 in black.

Alterra™ Wood Stove

CS1200

The striking, contemporary design of Alterra CS1200 wood stove puts the focus on the brilliant glowing fire. With an impressive 20% greater viewing area than traditional wood stoves, and a handy firewood storage area at its base, the CS1200 is perfectly proportioned for visual pleasure and functional convenience.

Standard Features

- Metallic black cast iron door
- Reversible cast iron door with removable handle
- EPA Certified
- Mobile home and alcove approved
- Closest clearances in the industry
- Single rod draft control
- Brick-lined firebox
- Airwash system
- Built-in top louver airmate

Optional Features

- Coloured side panels
- Ash drawer
- 2-speed blower
- Outside air kit
- Metallic black floor pad





CS1200 shown with stainless steel side panels and black floor pad.

The unique modern styling is complemented perfectly by the Regency tradition of reliability and high efficiency heat. Enjoy clean burning wood heat over night all winter long.

Specifications	CS1200
Maximum BTU*	55,000
Typical Sq. Ft. Heated	600-1200
Efficiency	77.7%
Maximum Log Size	18"
Burn Time (Typical)*	up to 8 hrs
Emissions (grams/hr)	3.0g
Firebox Size	1.4 cu. ft.
Flue Size	6"

* Length of burn time and BTU range depend on type of wood, moisture content, climate conditions and installation.



CS1200 shown with blue side panels



CS1200 shown with black side panels



CS1200 shown with red side panels





F2400 shown with legs and gold accent door.

Classic Wood Stoves

F1100, F2400, F3100, S2400



The timeless styling of the Classic Wood Stove comes in three sizes producing from 55,000 to 80,000 BTU of toasty warmth for a single living area or an entire home. Up to 77% efficiency means any room can be heated quickly. It also means your wood stove burns cleanly meeting the strictest air quality standards set by DEQ Washington Phase II Clean Air Standard of 4.5 grams/hr. or less.

Standard Features

- EPA Certified
- Mobile home and alcove approved
- Closest clearances in the industry
- Single rod draft control
- Brick-lined firebox
- Airwash system
- Rear heat deflector

Optional Features

- Cast iron door in gold, black**, gold accent or nickel accent
- Cast iron legs in gold, black or brushed nickel
- Pedestal base
- Bottom heat shield (when using legs)
- Ash drawer
- 2-speed blower
- Convector airmate
- Outside air kit
- Screen door



S2400 shown with pedestal and gold plated door.

The special design of the Step Top Classic makes it possible for it to be placed close to a corner of the wall. This makes it ideal for a medium sized room or for installation in tight alcoves. All Regency wood products come with an optional two speed blower to help deliver high efficiency heat to the far reaches of your home.



F2400 shown with pedestal



F2400 shown with legs



S2400 shown with pedestal

Specifications	F1100	F2400	S2400	F3100
Maximum BTU*	55,000	75,000	75,000	80,000
Typical Sq. Ft. Heated	600-1200	1000-2200	1000-2200	2000-3500
Efficiency	77.7%	77.0%	77.0%	75.4%
Maximum Log Size	18"	18"	18"	21"
Burn Time (Typical)*	up to 8 hrs	up to 8 hrs	up to 8 hrs	up to 10 hrs
Emissions (grams/hr)	3.0g	3.4g	3.4g	4.2g
Firebox Size	1.4 cu. ft.	2.3 cu. ft.	2.3 cu. ft.	2.9 cu. ft.
Flue Size	6"	6"	6"	6"

* Length of burn time and BTU range depend on type of wood, moisture content, climate conditions and installation.

** Black doors come with nickel handles & nickel hinge caps





Alterra CI1250 wood insert

Alterra™ Wood Inserts

CI1250 & CI1200



The Regency Alterra Wood Collection is the next chapter in wood fireplace design. It combines an unparalleled tradition of high quality materials and leading industry engineering with a contemporary styling that transforms your parents wood fireplace into today's trend setter.

The Alterra CI1250 wood insert transforms any inefficient open fireplace into a style savvy, energy efficient heater. It includes a two-speed blower to share the heat to the corners of your rooms.

Standard Features

- Metallic black cast iron faceplate
- Reversible cast iron door with removable handle
- EPA Certified
- Single rod draft control
- Airwash system
- Brick-lined firebox
- 2-speed blower (CI1250 only)

Optional Features

- Regular or custom backing plates
- Regency stainless steel flex liner kit
- Standard or 4-1/2" offset flue adaptor (patented)



Alterra CI1200 wood insert

The Alterra is also available without the blower providing you with installation flexibility. The size and design of the CI1200 makes it perfect for installation into factory built open fireplaces.

Specifications	CI1200	CI1250
Maximum BTU*	55,000	55,000
Typical Sq. Ft. Heated	600-1000	600-1000
Efficiency	77.7%	77.7%
Maximum Log Size	18"	18"
Burn Time (Typical)*	up to 8 hrs.	up to 8 hrs.
Emissions (grams/hr)	3.0g	3.0g
Firebox Size	1.4 cu. ft.	1.4 cu. ft.
Flue Size	6"	6"

Minimum fireplace opening		
Width	23"	23"
Height	19"	22-1/4"
Depth (with standard adaptor)	15"	15"

* Length of burn time and BTU range depend on type of wood, moisture content, climate conditions and installation.



CI1200



CI1250





Regency I1200 with nickel accent door, regular faceplate and blower.

Classic Wood Inserts

I1200 & H2100 Hearth Heater

For that drafty fireplace that isn't quite big enough for a standard insert, or for that area in your house that invites a compact style of fireplace, look to the Regency Classic Small Insert. With all the high efficiency, clean burning, quality features of all Regency wood products, this insert adapts to fit most prefab fireplaces.

Standard Features

- EPA Certified
- Single rod draft control
- Airwash system
- Brick-lined firebox
- Convector airmate (built-in H2100 only)

Optional Features

- Cast iron door in gold, black**, gold accent or nickel accent
- Regular or oversize faceplate (black trim included)
- 2-speed blower
- Screen door
- Brass faceplate trim
- Regency stainless steel flex liner kit
- Bottom 1 piece faceplate & fan support (I1200 only)
- Standard or 4-1/2" offset flue adaptor (patented - I1200 only)
- Cast iron legs in gold, black or brushed nickel (H2100 only - see diagram on p.22)





Hearth Heater H2100, with black door, regular faceplate and two speed blower.

The Hearth Heater combines the best qualities of the Classic Stove and Insert series. It eliminates the cold draft of an open fireplace and because it sits out on the hearth, gives you both convective and radiant heat. Like all Regency products, the Hearth Heater operates during power outages, providing a convenient cooktop surface as well.

Specifications	I1200	H2100
Maximum BTU*	55,000	70,000
Typical Sq. Ft. Heated	600-1000	800-1500
Optimum Efficiency	77.7%	84.9%
Maximum Log Size	18"	18"
Burn Time (Typical)*	up to 8 hrs.	up to 8 hrs
Emissions (grams/hr)	3.0g	3.5g
Firebox Size	1.4 cu. ft.	1.6 cu. ft.
Flue Size	6"	6"

Minimum Fireplace Opening		
Width	23"	8"
Height	19"	20"
Depth (with standard adaptor)	13-3/4"	-

* Length of burn time and BTU range depend on type of wood, moisture content, climate conditions and installation.

** Black doors come with nickel handles & nickel hinge caps



I1200 shown with gold plated door



H2100 shown with nickel accent door





Regency I2400 with nickel accent door, nickel convection grills, regular faceplate and blower.

Classic Wood Inserts

I2400 & I3100

Your open masonry fireplace can allow as much as 90% of your fire's heat to escape out the chimney. By adding a Regency Classic Fireplace Insert, you will keep the heat in your home. Regency Inserts are ready to install and fit easily into your existing fireplace. Increase the value of your home and decrease your monthly heating bill.

Standard Features

- EPA Certified
- Single rod draft control
- Airwash system
- Brick-lined fire box
- Black convection grills
- Mobile home approved (I2400 only)

Optional Features

- Cast iron door in gold, black**, gold accent or nickel accent
- Gold or nickel convection grills
- Regular or oversize faceplate (black trim included)
- Screen door
- Brass faceplate trim
- Regency stainless steel flex liner kit
- 2-speed blower





Regency I3100 with nickel accent door, regular faceplate and blower.

Whether you are trying to heat an average living space or one with high ceilings and large square footage; the medium and large inserts will provide you with all of the comforting, controllable heat you need.

Specifications	I2400	I3100
Maximum BTU*	75,000	80,000
Typical Sq. Ft. Heated	1000-2000	1800-3000
Optimum Efficiency	77.0%	75.4%
Maximum Log Size	18"	21"
Burn Time (Typical)*	up to 8 hrs	up to 10 hrs
Emissions (grams/hr)	3.4g	4.2g
Firebox Size	2.3 cu. ft.	2.9 cu. ft.
Flue Size	6"	6"

Minimum Fireplace Opening		
Width	25"	28"
Height	21-1/2"	25"
Depth (with standard adaptor)	17"	17"

* Length of burn time and BTU range depend on type of wood, moisture content, climate conditions and installation.

** Black doors come with nickel handles & nickel hinge caps



I2400 shown with black door



I2400 shown with nickel accent door





R90 featuring black louvers.

Wood Fireplaces

R90 & EX90

Regency's high efficiency fireplaces put a designer face on a hard working heater. Just load up your Regency and tuck in for a cozy night's sleep. Delivering up to 70,000 BTU of high efficiency heat, your Regency will burn for up to 8 hours while your rest.

Standard Features

- EPA Certified
- Single rod draft control
- Airwash system
- Black cast iron double doors
- Ceramic safety glass
- Brick-lined firebox
- Andirons
- Outside air kit

Optional Features

- Black/gold, black/brushed steel or black louvers (R90)
- Excalibur arch front in black (EX90)
- Blower
- Ash drawer
- Finishing trim (R90)
- Gravity air kit
- Masonry retainer kit (R90)
- 8" - 7" flue adaptor (Canada only)
- 8" Air cooled chimney adaptors (US only)
- Screen door





EX90 shown with Excalibur front in black and nickel accents.

Choose a traditional design (R90) or an arched Excalibur front (EX90) with tasteful accessory options to create the perfect furnace with a view!

Specifications	R90	EX90
Maximum BTU*	70,000	70,000
Typical Sq. Ft. Heated	1,000-2,200	1,000-2,200
Efficiency	77.4%	77.4%
Maximum Log Size	20"	20"
Burn Time (Typical)*	up to 8 hrs.	up to 8 hrs.
Emissions (grams/hr)	3.72g	3.72g
Firebox Size	2.5 cu. ft.	2.5 cu. ft.
Flue Size	8"	8"

* Length of burn time and BTU range depend on type of wood, moisture content, climate conditions and installation.



R90



R90 shown with steel louvers



Inside your Regency Wood Stove

Non-catalytic Technology

Regency uses non-catalytic technology which means that the airflow in the firebox is directed in such a way that smoke is reburned. This creates greater efficiency, a spectacular fire and results in cleaner emissions.

By combining non-catalytic technology with durable construction, Regency builds wood fireplaces that are guaranteed to last. These stove and insert diagrams illustrate the airflow and durable components that make Regency your heating solution.

Limited Lifetime Warranty

All Regency products are warranted for a lifetime of great looks, ease of use and superb performance. Ask your Regency dealer for details.



Convactor Airmate
Directs convection heat into your room. Allows closer clearances.

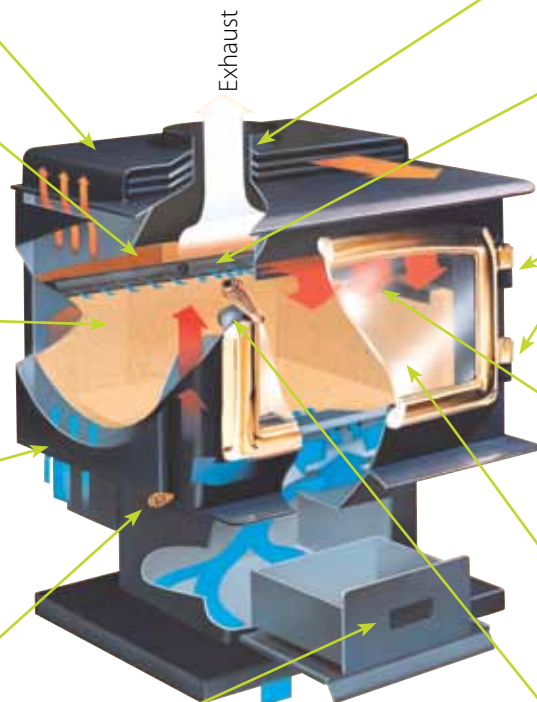
Heat Reflective Baffle
Designed to reflect heat back into the firebox to enhance reburn. Improves temperature distribution and efficiency of the firebox.

Firebox
Airtight and lined with firebrick to ensure wood is burned completely to deliver clean efficient heat.

Side Shields
Insulates stove to prevent heat loss and allows convective air to be warmed against side of stove.

Single Rod Draft Control
Simple and easy to control heat output and size of fire.

Removable Ash Drawer
For safe and easy clean up. Fits seamlessly into design of stove.



Heavy Gauge Steel
Used throughout the stove to ensure long term durability and increase radiant heat.

Stainless Steel Air Tubes
Injects secondary air into firebox to create reburn. Provides cleaner, more complete combustion.

Heavy Duty Hinge Pins
To ensure long term durability.

Airwash System
Engineered to keep your glass clean automatically by creating airflow across inside of glass. Stove must burn at maximum for 30 minutes for Airwash to occur.

Ceramic Safety Glass
Tested and certified to withstand very high temperatures. Allows heat to radiate through the glass.

Heavy Duty Cam Latch
Ensures airtight seal for controlled airflow.

Options

Convenient Ash Removal System



1. Open door



2. Pull out drawer



3. Slide cover on top



4. Carry away



Leg Ash Drawer
A compact ash drawer system is also featured on the leg version.

Base Options



24 Karat Gold Plated Cast Iron Legs



Brushed Nickel Cast Iron Legs



Black Cast Iron Legs



Black Pedestal

Cast Iron Doors



Black Cast Iron Door
(includes nickel handle and hinge caps)



Gold Cast Iron Door



Gold Accent Cast Iron Door



Nickel Accent Cast Iron Door

Screen Doors



For wood stoves and inserts*.



For R90 & EX90 wood fireplaces

* Note: Screen doors are not approved with Alterra wood units (CS120, C11200, C11250) or HearthHeater (H2100)

Convactor Airmate

The convactor airmate scoops super heated air from the back and top of the stove and directs it to the living area in front. This heat dispersion reduces temperatures behind the unit and allows it to be installed even closer to the wall.



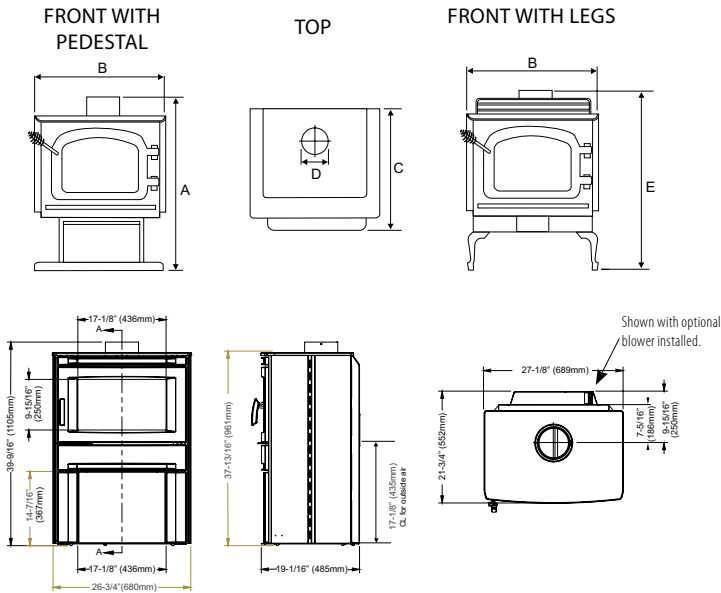
Powerful Blower

The blower can dramatically increase the circulation of heat in your home. It includes dual speed settings and an automatic heat sensor which turns the blower on and off at predetermined temperatures.



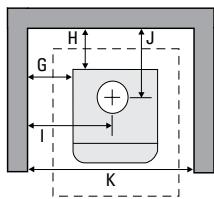
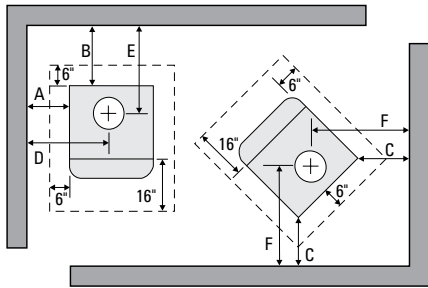
Wood insert blower

Specifications - Wood Stoves



Minimum Clearance to Combustible Materials

Please read the section below carefully as clearances depend on whether the optional AirMate convector or the rear heat deflector is installed on the stove. Measurements "From Unit" are from the top plate of the stove to a side wall or to a corner, and from the rear heat shield to a back wall.



Minimum Alcove Clearance to Combustible Materials

The Regency® Freestanding models have been alcove approved and must be installed with a listed double wall connector to the ceiling level.

Note: Minimum alcove ceiling height - 84" / Maximum depth of alcove - 36"

Minimum Alcove Clearance	FROM UNIT		FROM FLUE CENTER-LINE		MIN. WIDTH K	
	G	H	I	J		
Alterra CS1200	11"	7"	24-1/2"	14-1/2"	49-1/8"	
F1100	with AirMate	11"	7"	23"	13.5"	46"
	with Rear Deflector	13"	5"	25"	11.5"	50"
S2400	with Step Top	15"	5.5"	27"	12"	54"
F2400	with AirMate	15"	5.5"	27"	12"	54"
	with Rear Deflector	15"	6.5"	27"	13"	54"
F3100	with AirMate	16"	9.5"	30"	16"	60"
	with Rear Deflector	not approved for Alcove				

Dimensions	A**	B	C***	D	E**
F1100	30-1/4"	24"	20"	6"	31-11/16"
F2400	34-3/8"	24"	27-3/8"	6"	33-1/2"
S2400	34-3/8"	24"	27-3/8"	6"	35-7/8"
F3100	33-5/16"	28"	25-1/4"	6"	34-3/4"

**Measured to top of flue collar for height

*** Including Ash Lip

	CS1200	F1100	F2400	F3100	S2400
Maximum BTU*	55,000	55,000	75,000	80,000	75,000
Typical Sq. Ft. Heated	600-1200	600-1200	1000-2200	2000-3500	1000-2200
Optimum Efficiency	77.7%	77.7%	77%	75.4%	77%
Maximum Log Size	18"	18"	18"	21"	18"
Burn Time (Typical)*	up to 8 hrs	up to 8 hrs	up to 8 hrs	up to 10 hrs	up to 8 hrs
Emissions (grams/hr)	3.0g	3.0g	3.4g	4.2g	3.4g
Firebox Size	1.4 cu. ft.	1.4 cu. ft.	2.3 cu. ft.	2.9 cu. ft.	2.3 cu. ft.
Flue Size	6"	6"	6"	6"	6"

* Length of burn time and BTU range depend on type of wood, climate conditions and installation.

Residential Installation "C" Vent (Single Wall)	FROM UNIT		FROM CORNER		FROM FLUE CENTER-LINE	
	A	B	C	D	E	F
Alterra CS1200	13"	11"	8"	26-3/8"	18-1/2"	20-3/4"
F1100	with AirMate	13"	11"	8"	25"	20"
	with Rear Deflector	15"	10.5"	11"	27"	23"
S2400	with Step Top	16"	11"	6"	28"	17.5"
F2400	with AirMate	16"	11"	6"	28"	17.5"
	with Rear Deflector	18"	12"	6.5"	30"	18.5"
F3100	with AirMate	18"	12"	8.5"	32"	22"
	with Rear Deflector	20"	14"	10.5"	34"	20.5"

These clearances are certified clearances for the stove, however, the clearance to the combustibles and the single wall stove pipe must also be maintained. You can reduce the stove pipe clearance with a stove pipe heat shield.

Residential Close Clearance (To be installed with required pipe components)

When the stove is installed as a close clearance residential unit, a listed double wall connector is required from the stove collar to the ceiling level.

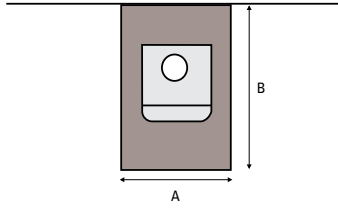
Residential Close Clearance (To be installed with required pipe components)	FROM UNIT		FROM CORNER		FROM FLUE CENTER-LINE	
	A	B	C	D	E	F
Alterra CS1200	11"	7"	7"	24-1/2"	14-1/2"	19-3/4"
F1100	with AirMate	9"	5"	3"	21"	11.5"
	with Rear Deflector	13.5"	5"	5"	25.5"	11.5"
S2400	with Step Top	15"	5.5"	4"	27"	12"
F2400	with AirMate	15"	5.5"	4"	27"	12"
	with Rear Deflector	15"	6.5"	6"	27"	13"
F3100	with AirMate	16"	9.5"	8.5"	30"	16"
	with Rear Deflector	20"	12"	8.5"	34"	18.5"

Mobile Home Close Clearance (To be installed with required pipe components)

"C" Vent single wall pipe is not approved for mobile home installations. (Refer to mobile home instructions)

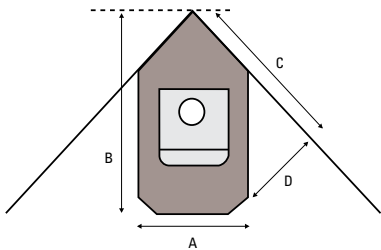
Mobile Home Close Clearance (To be installed with required pipe components)	FROM UNIT		FROM CORNER		FROM FLUE CENTER-LINE	
	A	B	C	D	E	F
Alterra CS1200	11"	7"	7"	24-1/2"	14-1/2"	19-3/4"
F1100	with AirMate	11"	6"	6"	23"	12.5"
	with Rear Deflector	13"	5"	9"	25"	11.5"
S2400	with Step Top	15"	5.5"	4"	27"	12"
F2400	with AirMate	15"	5.5"	4"	27"	12"
	with Rear Deflector	15"	6.5"	6"	27"	13"
F3100	with AirMate	18"	9.5"	10"	32"	16"
	with Rear Deflector	20"	12"	10"	34"	18.5"

WOOD STOVE FLOOR PROTECTION



USA FLOOR PROTECTION Flush Wall Hearth Requirements		Residential "C" Vent		Residential Close Clearance		Mobile Home Close Clearance		Alcove	
		A	B	A	B	A	B	A	B
Alterra CS1200		38-3/4"	39"	38-3/4"	39"	38-3/4"	39"	38-3/4"	39"
F1100	with AirMate	36"	38"	36"	37"	36"	38"	36"	38"
	with Rear Deflector	36"	38"	36"	37"	36"	37"	36"	37"
S2400	with Step Top	36"	46"	36"	45"	36"	45"	36"	45"
F2400	with AirMate	36"	46"	36"	45"	36"	45"	36"	45"
	with Rear Deflector	36"	46"	36"	45"	36"	45"	36"	45"
F3100	with AirMate	40"	43"	40"	43"	40"	43"	40"	43"
	with Rear Deflector	40"	43"	40"	43"	40"	43"	Not approved for alcove	

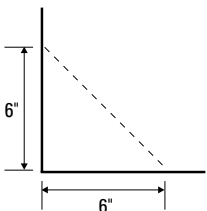
CANADA FLOOR PROTECTION Flush Wall Hearth Requirements		Residential "C" Vent		Residential Close Clearance		Mobile Home Close Clearance		Alcove	
		A	B	A	B	A	B	A	B
Alterra CS1200		42-3/4"	43"	42-3/4"	43"	42-3/4"	43"	42-3/4"	43"
F1100	with AirMate	40"	42"	40"	41"	40"	42"	40"	42"
	with Rear Deflector	40"	42"	40"	41"	40"	41"	40"	41"
S2400	with Step Top	40"	50"	40"	49"	40"	49"	40"	49"
F2400	with AirMate	40"	50"	40"	49"	40"	49"	40"	49"
	with Rear Deflector	40"	50"	40"	49"	40"	49"	40"	49"
F3100	with AirMate	44"	47"	44"	47"	44"	47"	44"	47"
	with Rear Deflector	44"	47"	44"	47"	44"	47"	Not approved for alcove	



USA FLOOR PROTECTION Corner Hearth Requirements		Residential "C" Vent				Residential Close Clearance				Mobile Home Close Clearance			
		A	B	C	D	A	B	C	D	A	B	C	D
Alterra CS1200		38.75"	53"	49.5"	22"	38.5"	53"	49.5"	22"	38.5"	53"	49.5"	22"
F1100	with AirMate	36"	52.75"	45.75"	21.25"	36"	47.75"	40.75"	16.25"	36"	50.75"	43.75"	19.25"
	with Rear Deflector	36"	57.25"	49.25"	25"	36"	49.75"	42.75"	18.25"	36"	58.25"	50.25"	26"
S2400	with Step Top	36"	57.5"	53.5"	26.5"	36"	55"	52.5"	24.75"	36"	55"	52.25"	24.75"
F2400	with AirMate	36"	57.5"	53.5"	26.5"	36"	55"	52.5"	24.75"	36"	55"	52.25"	24.75"
	with Rear Deflector	36"	58"	54"	27"	36"	57.5"	53.5"	27"	36"	57.5"	53.5"	27"
F3100	with AirMate	40"	60.75"	53"	24.25"	40"	60.75"	53"	24.25"	40"	60.25"	54.5"	24.25"
	with Rear Deflector	40"	63.5"	53.5"	26.25"	40"	60.75"	53"	24.25"	40"	63"	54.5"	24.25"

Corner Installations

If the rear clearance to combustibles is less than 6", for corner installations the corners may be angled to take advantage of the closer clearances.



CANADA FLOOR PROTECTION Corner Hearth Requirements		Residential "C" Vent				Residential Close Clearance				Mobile Home Close Clearance			
		A	B	C	D	A	B	C	D	A	B	C	D
Alterra CS1200		42.75"	55"	53"	22"	42.75"	55"	53"	22"	42.75"	55"	53"	22"
F1100	with AirMate	40"	54.75"	47.75"	19.25"	40"	49.75"	42.75"	14.25"	40"	52.75"	45.75"	17.25"
	with Rear Deflector	40"	59.25"	51.25"	23"	40"	51.75"	44.75"	16.25"	40"	60.25"	52.25"	24"
S2400	with Step Top	40"	59.5"	55.5"	28.5"	40"	57"	54.5"	26.75"	40"	57"	54.25"	26.75"
F2400	with AirMate	40"	59.5"	55.5"	28.5"	40"	57"	54.5"	26.75"	40"	57"	54.25"	26.75"
	with Rear Deflector	40"	60"	56"	29"	40"	59.5"	55.5"	29"	40"	59.5"	55.5"	29"
F3100	with AirMate	44"	62.75"	55"	22.25"	44"	62.75"	55"	22.25"	44"	62.25"	56.5"	22.25"
	with Rear Deflector	44"	65.5"	55.5"	24.25"	44"	62.75"	55"	22.25"	44"	65"	56.5"	22.25"

Floor Protection

A combustible floor must be protected by non-combustible material (like tile, concrete board, or certified to UL-1618 or as defined by local codes) extending beneath the heater and a minimum of 6" (USA) or 8" (250mm) (Canada) from each side and minimum 16" (USA) or 18" (450mm) (Canada) from the front face of stove and minimum 6" (USA) or 8" (250mm) (Canada) or the rear clearance to combustibles, whichever is smaller, from the rear of the stove.

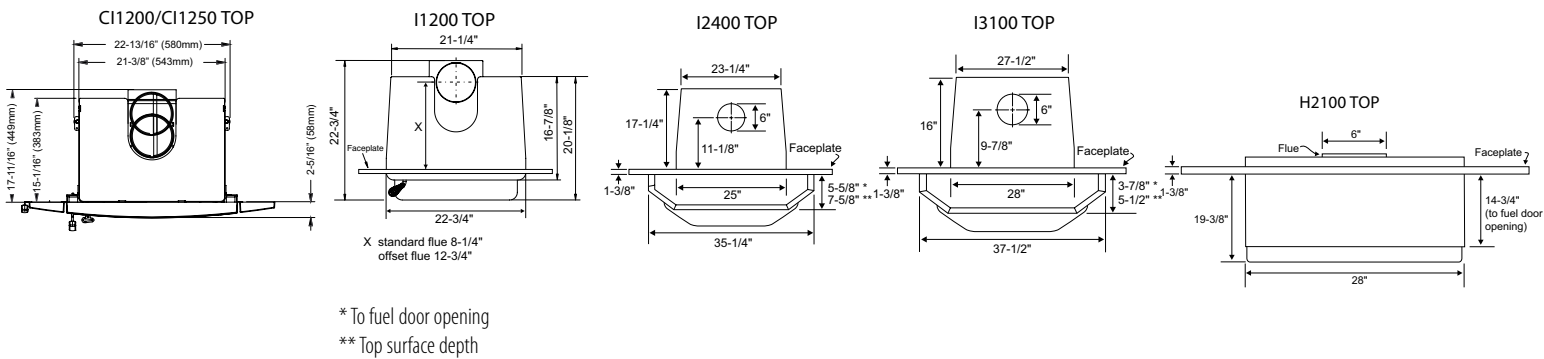
When installed with horizontal venting, non-combustible floor protection must be installed beneath the flue pipe and extend 2" (51mm) beyond each side.

Specifications - Wood Inserts

	CI1200	CI1250	I1200	I2400	I3100	H2100
Maximum BTU*	55,000	55,000	55,000	75,000	80,000	70,000
Typical Sq. Ft. Heated	600-1000	600-1000	600-1000	1000-2000	1800-3000	800-1500
Optimum Efficiency	77.7%	77.7%	77.7%	77%	75.4%	84.9%
Maximum Log Size	18"	18"	18"	18"	21"	18"
Burn Time (Typical)*	up to 8 hrs.	up to 8 hrs.	up to 8 hrs	up to 8 hrs	up to 10 hrs	up to 8 hrs
Emissions (grams/hour)	3.0g	3.0g	3.0g	3.4g	4.2g	3.5g
Firebox Size	1.4 cu. ft.	1.4 cu. ft.	1.4 cu. ft.	2.3 cu. ft.	2.9 cu. ft.	1.6 cu. ft.
Flue Size	6"	6"	6"	6"	6"	6"

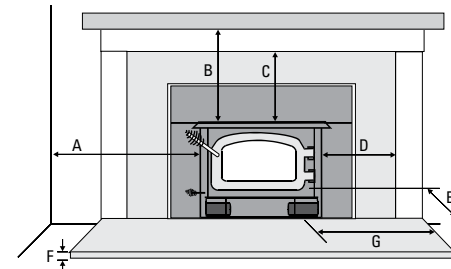
* Length of burn time and BTU range depend on type of wood, moisture content, climate conditions and installation.

Minimum Fireplace Opening		CI1200	CI1250	I1200	I2400	I3100	H2100
Width (front)		25"	25"	23"	25"	28"	8"
Height		19-5/8"	23"	19"	21-1/2"	25"	20" (without legs) 28" (with legs)
Depth	(w/ standard flue adaptor)	15-1/16"	15-1/16"	13-3/4"	17"	17"	--
	(w/ offset flue adaptor)	17-11/16"	17-1/16"	16-1/2"	--	--	--



Dimensions	CI1200	CI1250	I1200	I2400	I3100	H2100
Firebox Height	18-13/16"	22-1/8"	18-3/4"	20-7/8"	22-3/4"	22-1/2"
Height to top of Flue Collar	19-9/16"	22-13/16"	19-1/2"	21-1/4"	23-1/8"	20" (without legs) 28" (with legs)
Regular Faceplate Width	35-15/16"	35-15/16"	38"	40"	44"	40-1/4"
Regular Faceplate Height	22-9/16"	25-13/16"	26-1/8"	30"	32"	30"
Oversize Faceplate (W x H)	custom size & backing plate available	custom size & backing plate available	44" x 30-1/8"	48" x 33"	50" x 34-1/2"	48" x 33"

* including ashlip



Masonry & Factory Built Fireplace Clearances

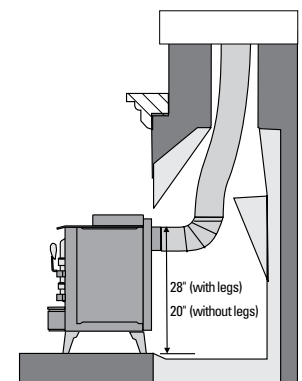
The minimum required clearances to combustible materials when installed into a masonry fireplace are:

	Adjacent Side Wall (to side)	Mantel (to top)	Top Facing (to top)	Side Facing (to side)	Min. Hearth Extension*		Min. Hearth Elevation*	Min Hearth Side Width**	
					E (USA)	E (Canada)		F	G (USA)
CI1200	15"	20"	14"	7-3/8"	16"	18"	1-1/2"	6"	8"
CI1250	15"	20"	14"	7-3/8"	16"	18"	1-1/2"	6"	8"
I1200	15"	20"	14"	7-3/8"	16"	16"	1-1/2"	8"	8"
I2400	11"	20"	12"	8"	18"	18"	1/2"	8"	8"
I3100	13"	19"	18"	6-1/2"	16"	16"	1-1/2"	8"	8"
H2100	10"	25"	14"	8-1/2"	18"	18"	1-1/2"	6"	6"

* Note: If the hearth extension is flush with the floor (item F) it must extend 19.5 in. in front of the body face (item E) (I1200, I3100 & H2100 only).

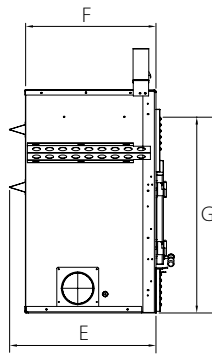
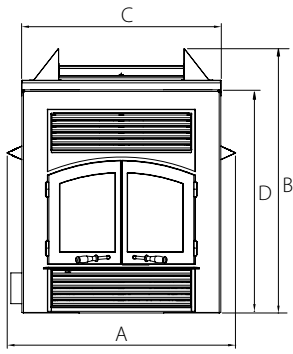
** Note: Hearth extension width (G) is measured from edge of fuel door to side of hearth.

Hearth Heater Minimum Fireplace Openings



Illustrates Hearth Heater with classic leg option.

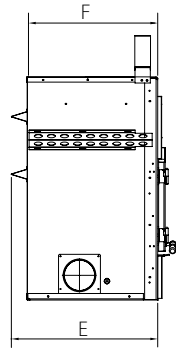
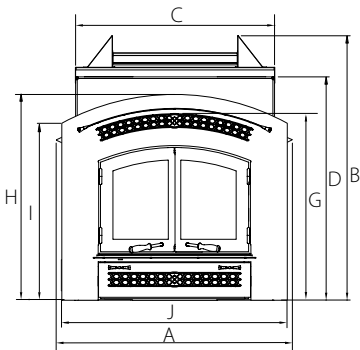
Specifications - Wood Fireplaces



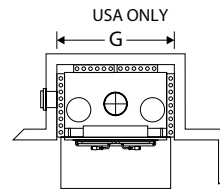
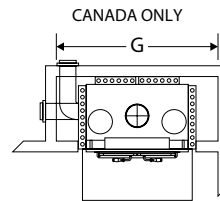
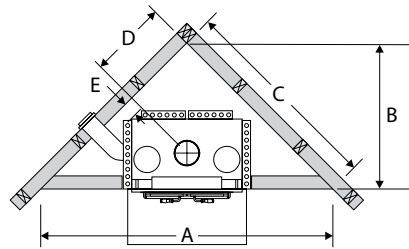
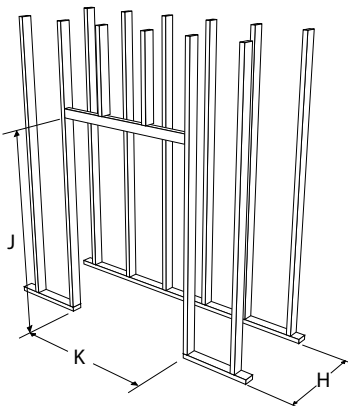
Dimensions	R90	EX90
A	43-5/8"	43-5/8"
B	50-1/2"	50-1/2"
C	38"	38"
D	42-5/8"	42-5/8"
E	28"	28"
F	25"	25"
G	37-3/8"	29-1/8"
H	--	38-3/4"
I	--	33-3/4"
J	--	43"

SPECIFICATIONS	R90	EX90
Maximum BTU*	70,000	70,000
Typical Sq. Ft. Heated	1,000-2,200	1,000-2,200
Efficiency (EPA)	74%	74%
Maximum Log Size	20"	20"
Burn Time (Typical)*	up to 8 hrs	up to 8 hrs
Emissions (grams/hr)	3.72g	3.72g
Firebox Size	2.5 cu. ft.	2.5 cu. ft.
Flue Size	8"	8"

*Length of burn time and BTU range depend on type of wood, moisture content, climate conditions and installation



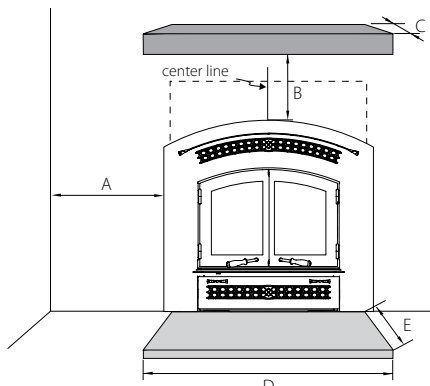
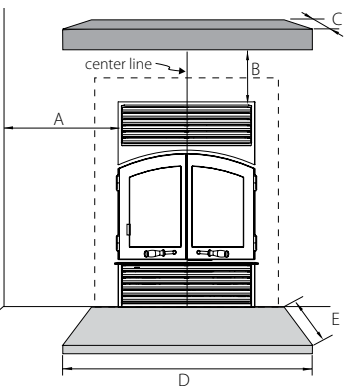
FRAMING



Framing	USA	Canada
A	96-1/4"	115-3/8"
B	48-1/8"	57-5/8"
C	68"	81-1/2"
D	24-1/2"	31-1/4"
E	3"	9-3/4"
G	44"	60"
H	28"	28"
J	50-3/4"	50-3/4"
K	44"	44"

US only: Chase must be ventilated with one 30 square inch vent grill. The vent grill must draw air from inside the home and not from outside.

CLEARANCE TO COMBUSTIBLES



Minimum Clearance to Combustibles R90 / EX90	USA	Canada
A Side Wall From Louver Opening (EX90: to surround edge)	18"	24"
B Mantel Height (min.) From Louver Opening	18"	18"
C Mantel Depth (max.)	10"	10"

Non-Combustible Hearth Requirement		
D	Hearth Width	40"
E	Hearth Depth	18"

NOTE: All product specifications are subject to change without notice. Before installing refer to the relevant product manual for full and up to date information.



design your own fireplace

Your Regency® matches your home and lifestyle perfectly. How do we know that? Because you designed it yourself!

Visit www.regency-fire.com today and surf through our selection of products and accessories to design your own fireplace. The endless options are just a click away! Change the style until you have your perfect fireplace... then ask your friends and family for their opinion!

Click on Fireplace Design Centre at www.regency-fire.com and then visit your authorized local dealer to design your own fireplace.

fireplace selection worksheet

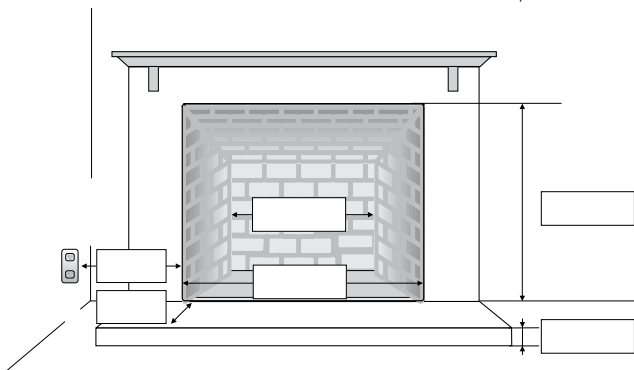
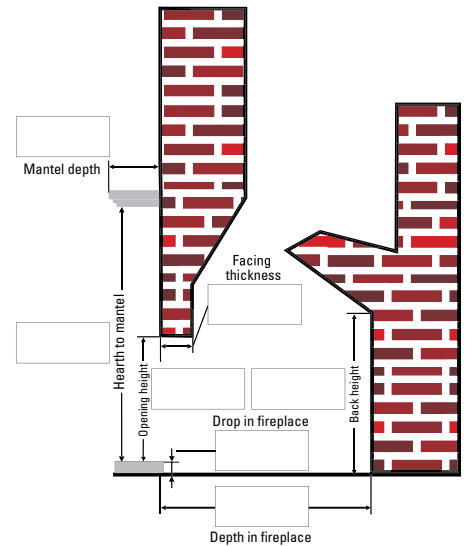
We want you to enjoy your beautiful Regency fireplace for years to come. To help you figure out which product is just right for your home, fill in the following worksheet. Once complete, visit your nearest Regency dealer. Your professional Regency dealer will assess your needs - including local building codes - and install your Regency.

1. BASIC PRODUCT FUNCTION QUESTIONS

- a. I would like my inbuilt to provide me with: Supplemental heating Priority heating
- b. The room/rooms I would like to heat are: _____ Square feet

2. FIREPLACE PRODUCT TYPE AND MEASUREMENTS

- a. I am: Installing a new fireplace Installing into an existing fireplace
- b. Fill in the following measurements:
- Ceiling Height: _____
- Location in the room: _____
- c. What is the:
- Flooring material: _____
- Wall material: _____
- Ceiling material: _____
- d. Fireplace opening dimensions
- Width (front) _____
- Width (back) _____
- Height _____
- Depth _____



www.regency-fire.com

your regency dealer